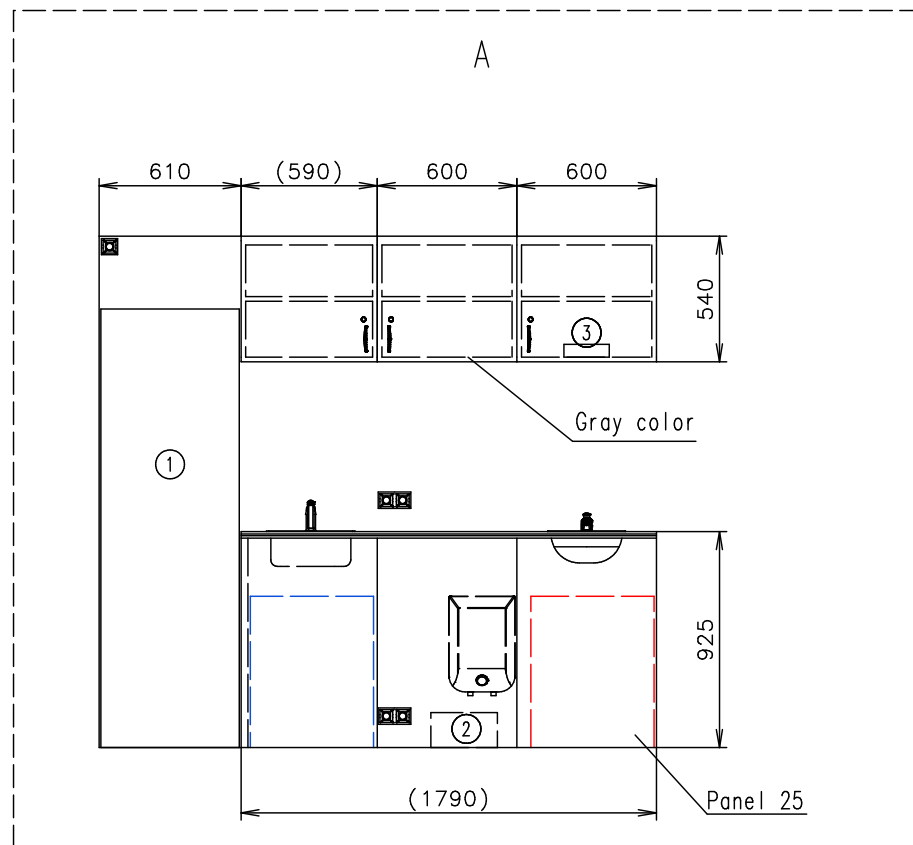
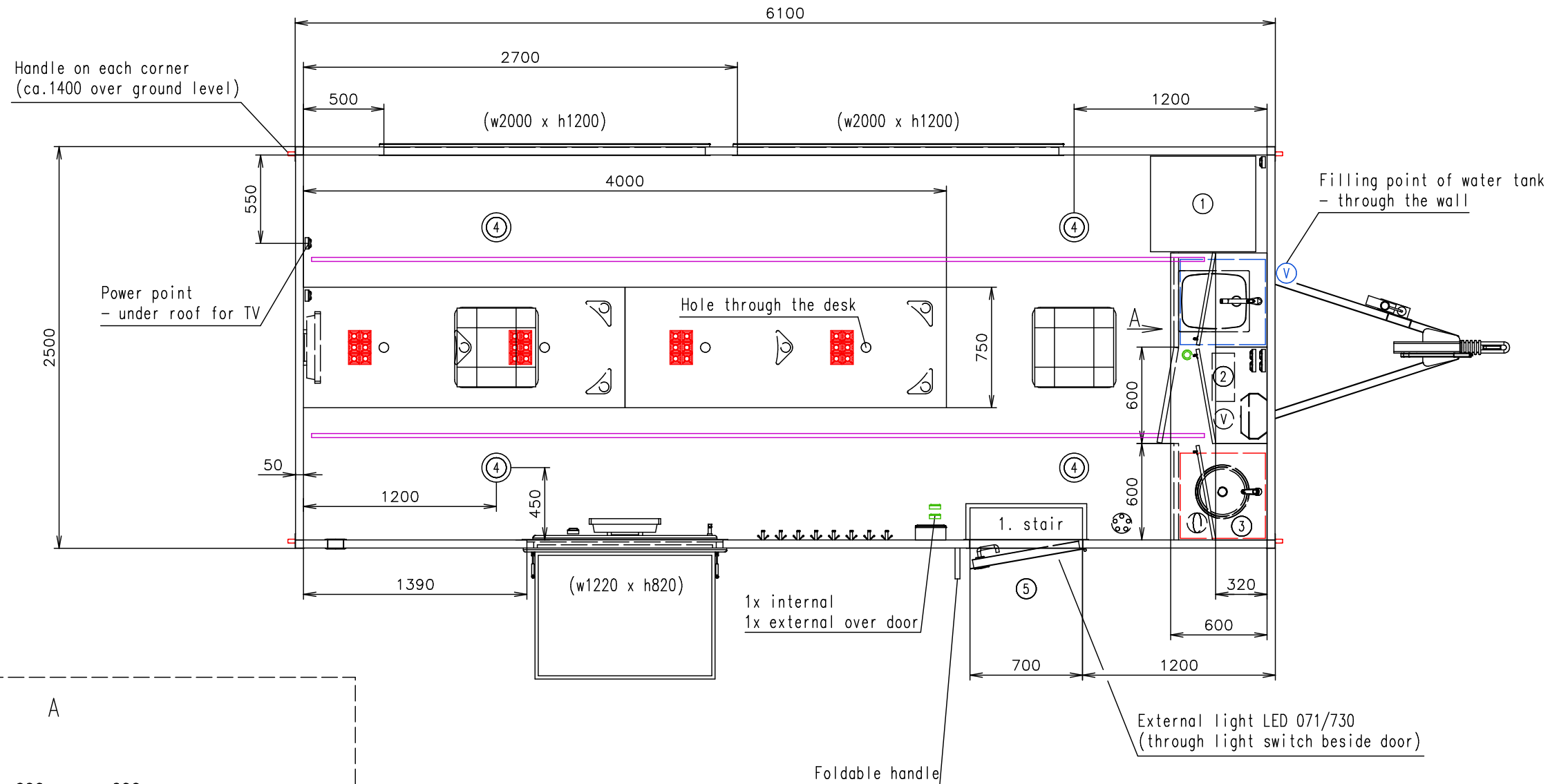


Connection hoses and cables	
Water hose:	✓
Waste water hose:	✗
Electric cable:	✓



(Cabling and piping is not shown on the 3D views and drawings)

Notes: 20x chair - free loaded Wireless reverse camera on the roof

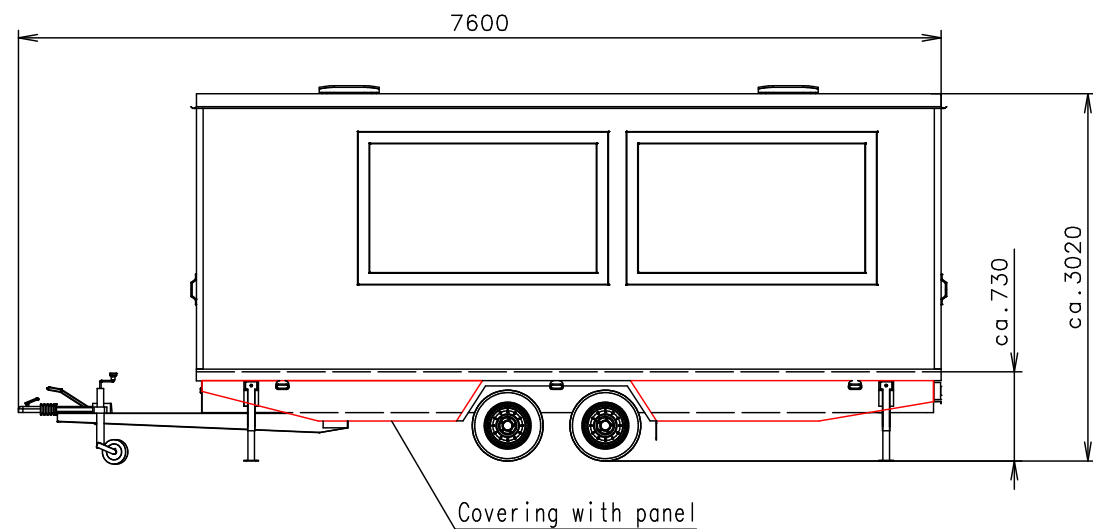
Interior height:	2200 mm	Total weight:	2000 kg
Color:	RAL 9010	Tare weight-estimate:	1900 kg
Floor:	PVC black	Centre of wheels from rear side:	3150 mm
Date:	23.2.2017	Wheels:	155 R13 - winter

**EUROWAGON**

Drawing number:  
2560-61-1\_1/2 (Halldor)

Connection hoses and cables	
Water hose:	✓
Waste water hose:	✗
Electric cable:	✓

- Ⓟ Water connection 3/4" (through the floor)
- Ⓢ Electric connection (on the chassis) (230V-16A)
- Ⓣ Effluent connection 6/4" (through floor)
- Ⓤ Power point
- Ⓥ Double power point
- Ⓦ Power point – on the desk from bottom side
- Ⓧ Light switch
- Ⓨ Switch board (under roof) + electricity meter
- Ⓩ LED stripe (warm white)
- ⓐ Heating (750W)
- ⓑ Floor drain hole
- ⓓ Kitchen sink Alveus Basic 10 + standard water tap
- ⓔ Sink ø335 (stainless steel) + sensor water tap DK
- ⓕ Hot water boiler Wterm FHN (5l)
- ⓖ Waste-water tank (on the floor) (1530 x w530 x h650 = 150l)  
– valve – inside wagon  
– discharge point – outside under floor
- ⓗ Water tank (on the floor) (1530 x w530 x h650 = 150l)
- Ⓢ Window opening inside (870 over floor) + shutter
- Ⓣ Fixed window (740 over floor) + rolling curtain (purple) – inside
- Ⓤ Roof window Dometic (400x400)
- Ⓥ Ventilation ø120
- Ⓦ Desk permanent fixed (4000x750)
- Ⓧ Clothes hanger
- Ⓨ Fridge with freezer (Whirlpool BLF 8121 W)
- Ⓩ Water pump Grundfos hydrojet JP5 (230V)
- ⓐ Radio – SONY DSX-A400BT
- ⓑ Speaker – in the roof
- ⓓ Foldable stairs Fiona



(Cabling and piping is not shown on the 3D views and drawings)

Notes: 20x chair – free loaded      Wireless reverse camera on the roof

Interior height:	2200 mm	Total weight:	2000 kg
Color:	RAL 9010	Tare weight-estimate:	1900 kg
Floor:	PVC black	Centre of wheels from rear side:	3150 mm
Date:	23.2.2017	Wheels:	155 R13 – winter

**EUROWAGON**

Drawing number:  
2560-61-1\_2/2 (Hallidor)